

NEW

Panasonic



PACi
ELITE / STANDARD

LOW STATIC PRESSURE HIDE AWAY PACi STANDARD AND ELITE INVERTER+

The depth of only 250 mm provides greater installation flexibility and the unit can be used in more applications. Ideal for sites with narrow ceiling voids.

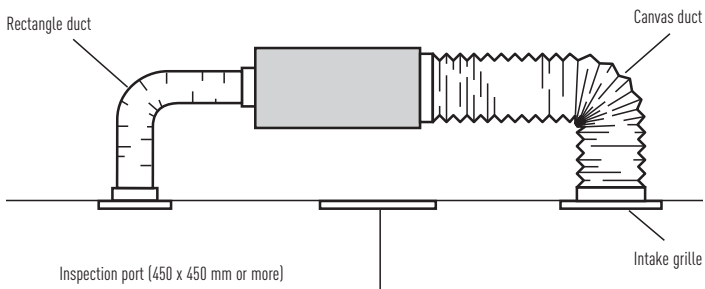


Discharge air temperature control

- Possible to reduce cold drafts at heating operation.

System Example

An inspection port (450 mm x 450 mm or more) is required at the control-box side of the indoor unit body.



Low Static Pressure Hide Away (PN Type)

Ultra-slim profile: 250 mm height for all models.



SEASONAL EFFICIENCY (SCOP)

PRODUCT FOLLOWS THE NEW
ECODESIGN REQUIREMENTS



LOW STATIC PRESSURE HIDE AWAY PACi STANDARD AND ELITE INVERTER+

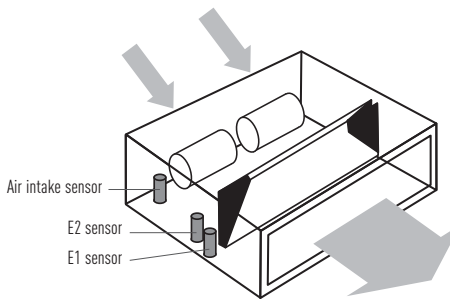


- Compact indoor units without losing static pressure (Only 250 mm high)
- 50 Pa static pressure
- Easy maintenance and service via external electrical box
- 3 speed centrifugal fan through wired or wireless remote control
- DC FAN for better efficiency and control

Cold Drafts Reduction at Heating

- Accurate temperature measurement by E1/E2 sensor to reduce cold drafts at heating.

Before spec-in, please consult with an authorized Panasonic dealer.



OPTIONAL CONTROLLERS

Timer remote controller
CZ-RTIC2



Wireless remote controller
CZ-RWSC2



Simplified remote controller
CZ-RE2C2



U-60PE1E5 U-71PE1E5



U-100PE1E5 U-125PE1E8
U-100PE1E8 U-71PE1E8
U-125PE1E8



U-140PE1E8 U-125PE1E8
U-100PE1E5 U-140PE1E8
U-125PE1E8

LOW STATIC PRESSURE HIDE AWAY PACi STANDARD AND ELITE INVERTER+	Cooling			Heating			Sound pressure Cool — Heat (Hi / Lo / S-Lo) dB(A)	Dimensions (In) mm	Dimensions (Out) mm	Operating range Cool — Heat Min / Max °C
	Capacity Nom (Min - Max) kW	SEER ¹ Nominal W/W	Power input Nominal (Min - Max) kW	Capacity Nom (Min - Max) kW	SCOP ¹ Nominal W/W	Power input Nominal (Min - Max) kW				
Low Static Pressure Hide Away PACi Standard Inverter+										
KIT-60PNY1E5	6.0 (2.0 - 7.0)	4.70 B	1.990 (0.325 - 2.940)	6.0 (1.8 - 7.0)	3.80 A	1.660 (0.275 - 2.420)	43 / 41 / 36 — 43 / 41 / 36	250 x 1000 x 650	569 x 790 x 285	-10 / 43 — -15 / 24
KIT-71PNY1E5	7.1 (2.0 - 7.7)	5.00 B	2.570 (0.325 - 3.230)	7.1 (1.8 - 8.1)	3.80 A	2.080 (0.275 - 2.780)	43 / 41 / 36 — 43 / 41 / 36	250 x 1000 x 650	569 x 790 x 285	-10 / 43 — -15 / 24
KIT-100PNY1E5	10.0 (2.7 - 11.5)	5.30 A	3.550 (0.570 - 4.300)	10.0 (2.1 - 13.8)	3.80 A	2.935 (0.450 - 4.100)	44 / 42 / 37 — 44 / 42 / 37	250 x 1200 x 650	996 x 940 x 340	-10 / 43 — -15 / 24
KIT-125PNY1E5	12.5 (3.8 - 13.5)	2.81 C	4.445 (0.950 - 5.200)	12.5 (3.4 - 15.0)	3.41 B	3.665 (0.780 - 4.600)	45 / 43 / 38 — 45 / 43 / 38	250 x 1200 x 650	996 x 940 x 340	-10 / 43 — -15 / 24
KIT-100PNY1E8	10.0 (2.7 - 11.5)	5.20 B	3.550 (0.570 - 4.300)	10.0 (2.1 - 13.8)	3.80 A	2.935 (0.450 - 4.100)	44 / 42 / 37 — 44 / 42 / 37	250 x 1200 x 650	996 x 940 x 340	-10 / 43 — -15 / 24
KIT-125PNY1E8	12.5 (3.8 - 13.5)	2.81 C	4.445 (0.950 - 5.200)	12.5 (3.4 - 15.0)	3.41 B	3.665 (0.780 - 4.600)	45 / 43 / 38 — 45 / 43 / 38	250 x 1200 x 650	996 x 940 x 340	-10 / 43 — -15 / 24
KIT-140PNY1E8	14.0 (3.3 - 15.5)	3.01 B	4.650 (1.000 - 6.200)	14.0 (4.1 - 16.0)	3.61 A	3.880 (1.050 - 5.400)	46 / 44 / 39 — 46 / 44 / 39	250 x 1200 x 650	1416 x 940 x 340	-10 / 43 — -15 / 24
Low Static Pressure Hide Away PACi Elite Inverter+										
KIT-50PN1E5	5.0 (1.5 - 5.6)	4.60 B	1.560 (0.260 - 2.310)	5.6 (1.5 - 6.3)	3.8 A	1.740 (0.220 - 2.520)	41 / 39 / 35 — 41 / 39 / 35	250 x 1000 x 650	569 x 790 x 285	-15 / 46 — -20 / 24
KIT-60PN1E5	6.0 (2.5 - 7.1)	5.50 A+	1.850 (0.550 - 2.100)	7.0 (2.0 - 8.0)	3.8 A	1.940 (0.500 - 2.580)	43 / 41 / 36 — 43 / 41 / 36	250 x 1000 x 650	996 x 940 x 340	-15 / 46 — -20 / 24
KIT-71PN1E5	7.1 (2.5 - 8.0)	5.50 A+	2.150 (0.550 - 2.150)	8.0 (2.0 - 9.0)	3.7 A	2.260 (0.500 - 2.820)	43 / 41 / 36 — 43 / 41 / 36	250 x 1000 x 650	996 x 940 x 340	-15 / 46 — -20 / 24
KIT-100PN1E5	10.0 (3.3 - 12.5)	6.00 A+	2.670 (0.870 - 3.800)	11.2 (4.1 - 14.0)	5.3 A+++	2.950 (0.980 - 4.500)	44 / 42 / 37 — 44 / 42 / 37	250 x 1200 x 650	1416 x 940 x 340	-15 / 46 — -20 / 24
KIT-125PN1E5	12.5 (3.3 - 14.0)	3.16 A	3.890 (1.000 - 4.800)	14.0 (4.1 - 16.0)	3.61 A	3.880 (1.050 - 5.400)	45 / 43 / 38 — 45 / 43 / 38	250 x 1200 x 650	1416 x 940 x 340	-15 / 46 — -20 / 24
KIT-140PN1E5	14.0 (3.3 - 15.5)	3.01 A	4.650 (1.000 - 6.200)	16.0 (4.1 - 18.0)	3.41 B	4.690 (1.050 - 6.100)	46 / 44 / 39 — 46 / 44 / 39	250 x 1200 x 650	1416 x 940 x 340	-15 / 46 — -20 / 24
KIT-71PN1E8	7.1 (2.5 - 8.0)	5.20 A+	2.150 (0.550 - 2.150)	8.0 (2.0 - 9.0)	3.7 A	2.260 (0.500 - 2.820)	43 / 41 / 36 — 43 / 41 / 36	250 x 1000 x 650	996 x 940 x 340	-15 / 46 — -20 / 24
KIT-100PN1E8	10.0 (3.3 - 12.5)	5.80 A+	2.670 (0.870 - 3.800)	11.2 (4.1 - 14.0)	5.2 A+++	2.950 (0.980 - 4.500)	44 / 42 / 37 — 44 / 42 / 37	250 x 1200 x 650	1416 x 940 x 340	-15 / 46 — -20 / 24
KIT-125PN1E8	12.5 (3.3 - 14.0)	3.21 A	3.890 (1.000 - 4.800)	14.0 (4.1 - 16.0)	3.61 A	3.880 (1.050 - 5.400)	45 / 43 / 38 — 45 / 43 / 38	250 x 1200 x 650	1416 x 940 x 340	-15 / 46 — -20 / 24
KIT-140PN1E8	14.0 (3.3 - 15.5)	3.01 A	4.650 (1.000 - 6.200)	16.0 (4.1 - 18.0)	3.41 B	4.690 (1.050 - 6.100)	46 / 44 / 39 — 46 / 44 / 39	250 x 1200 x 650	1416 x 940 x 340	-15 / 46 — -20 / 24

KIT_ _E5 Single Phase // KIT_ _E8 Three Phase. 1 SEER and SCOP columns shows Seasonal Efficiency according to ErP directive 206/2012. Models with higher capacity than 12 kW are showing nominal EER and COP.



Internet Control is a next generation system providing a user-friendly remote control of air conditioning or heat pump units from everywhere, using a simple Android or iOS smartphone, tablet or PC via internet.



Inverter+ products improve on the characteristics of standard Inverter range by over 20%. This means 20% less consumption and 20% off your electric bill. A Inverter plus is also A class on cooling and heating mode.



Exceptional Seasonal Cooling Efficiency based on the new ErP regulation. Higher the SEER ratings mean greater efficiency. Save all the year while cooling! For KIT-71PF1E5.



Exceptional Seasonal Heating Efficiency based on the new ErP regulation. Higher the SCOP ratings mean greater efficiency. Save all the year while heating! For KIT-71PF1E5.



The air conditioner works in cooling only mode with an outdoor temperature of -15°C. For Elite range.



The air conditioner works in heat pump mode even when outdoor temperatures are as low as -20°C. For Elite range.



The communication port is integrated into the indoor unit and provides easy connection to, and control of, your Panasonic heat pump to your home or building management system.



The Panasonic renewal system allows good quality existing R22 pipe work to be re-used whilst installing new high efficiency R410A systems.



We guarantee the compressors in the entire range for five years.

Panasonic

To find out how Panasonic cares for you, log on to: www.aircon.panasonic.eu

Contact Details: Telephone: 01344 853182 // www.panasonic.co.uk/aircon
Address: Panasonic Air Conditioning: Panasonic House // Wiltoughy Road // Bracknell // Berkshire // RG12 8FP

heatingandcoolingsystems



Климаркет Ефендулов ЕООД
ул. Славянска 11
9002 Варна
0700 20 720
www.climamarket.bg
office-var@climamarket.bg