

Infrared heater ELIR



⚡ 1200 W Electrical heat

1 model



Infrared heater ELIR

For all outdoor applications where a high flexibility is desired

Application

ELIR gives an intense heat suitable for all outdoor applications and rough industrial premises. While ELIR is light, stable and portable it is also well suited for temporary heating on building sites etc. With its concentrated heat it is a good complement to dehumidifiers for drying in areas damaged by water. High protection class (IP65) makes it possible to install the heater in almost any environment.

Comfort

Radiant heaters give an intense, comfortable heat and prolongs the summer season. No moving parts mean a silent system that does not cause air movement or the spreading of dust and other particles.

Operation and economy

Radiant heaters give instant heat, are simple and flexible to install and require minimum maintenance. People and objects are heated but not the surrounding air, which makes radiant heaters very efficient. This is especially effective outdoors. A radiant heater is also more energy efficient, safer and cleaner than a gaspowered heater.

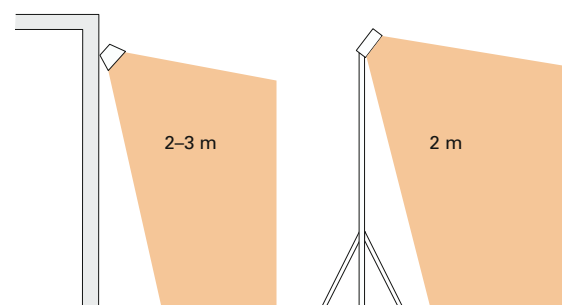
Design

ELIR has a thorough design in a compact format. Simple, robust and light (1 kg). ELIR has no protective glass which means 10–15 % higher efficiency compared to a heater with glass with the same protection class.

Product specifications

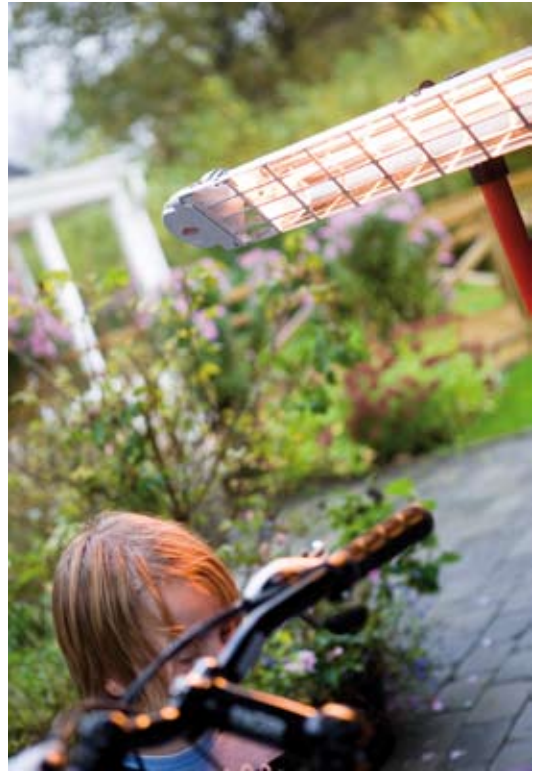
- All parts are anti-corrosive.
- Casing/reflectors of high-gloss polished aluminium with maximum resistance against corrosion.
- ELIR is mounted on the wall with the accompanying mounting bracket or suspended from the ceiling. It can also be mounted on a stand for portable use. Suspension details and stand are extra.
- Grey terminal boxes of heat and weather resistant plastic. Colour: RAL 7035.

Installation height



Design and specifications are subject to change without notice.

Infrared heater ELIR



ELIR is compact and light. Mounted on a stand ELIR is portable and is well suited for temporary heating.



ELIR gives an intense heat suitable for outdoor applications. The heaters should heat from at least two directions for an even heating.



High protection class (IP65) makes it possible to install the heater in almost any environment.

Infrared heater ELIR

Technical specifications | Infrared heater ELIR ⚡

Type	Heat output [W]	Voltage [V]	Amperage [A]	Max. lamp temperature [°C]	Dimensions LxHxW [mm]	Weight [kg]
ELIR12	1200	230V~	5,2	2000	712x112x83	1,0

Protection class: (IP65), jet-proof design.
CE compliant.

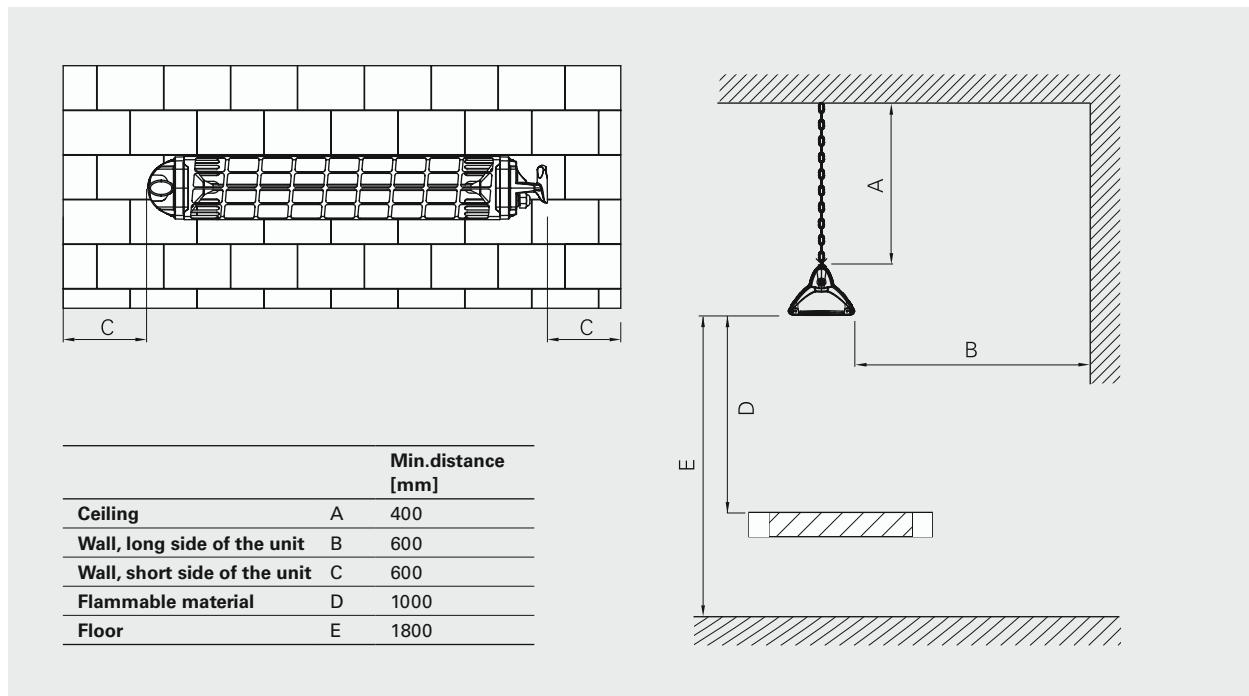


Fig. 1: Minimum mounting distance.

Positioning, mounting and installation

Positioning

The infrared heaters should encircle the area that should be heated, see Fig. 2. The units are normally positioned 2–3 metres above the ground. As a general rule, 750-1000 W/m² increases the temperature by approx. 10 °C. The output could be reduced according to how sheltered the area is. If the area has only a roof at least 1000 W/m² should be installed whereas if the area has three walls it should be sufficient with 750 W/m². For a completely closed area, the output requirements should be calculated. A green house requires 250-300 W/m².

When the heater is mounted at 2 – 3 m height on a wall the heat radiation covers approximately an area of 2,5 x 4 m. The best comfort is experienced when a person is heated from two directions.

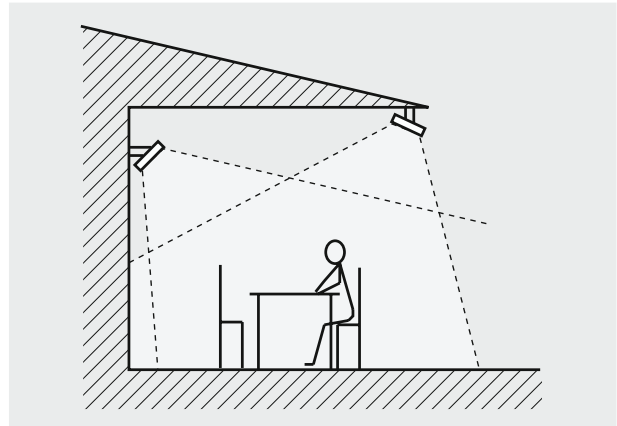


Fig. 2: The heaters should heat from at least two directions for an even heating.

Mounting

ELIR should always be mounted horizontally. For minimum mounting distance, see Fig. 1. ELIR can be mounted on the wall, suspended on chains or mounted on stands, see Fig. 3-5. Standard bracket for wall mounting is included. The angle of the heater can be adjusted for optimum comfort, see Fig. 6.

When mounting on chains or stand, suitable fittings are available as accessories.

Connection

ELIR is intended for both permanent installation and portable use. Cable and plug are included in delivery.

Mounting alternatives

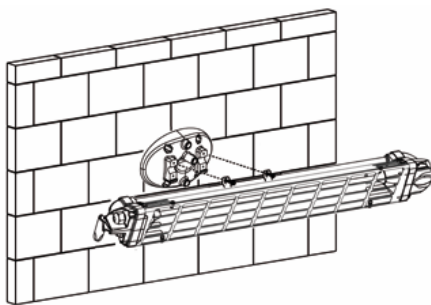


Fig. 3: Standard: Wallmounting (bracket included).

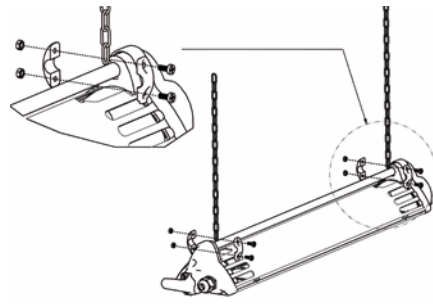


Fig. 4: Chain suspended.

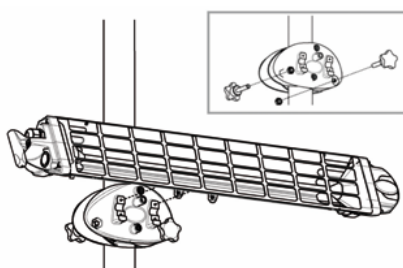


Fig. 5: Mounting on floor stand.

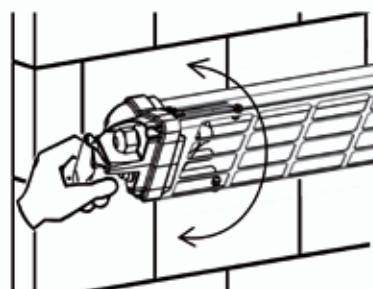


Fig. 6: Adjusting angle

Infrared heater ELIR

Control options

Timer control

The timer can be set to a desired time. If the current load exceeds the timer's setting range or if you want to control a larger system, a contactor can be used.

- CBT, electronic timer

For further options, see section on thermostats and controls or contact Frico.

Accessories

ELIRC, chain for ceiling mounting

See Fig. 4.

ELIRS, floor stand for portable use

Floor stand (tripod) with bracket for ELIR included.

ELIRB, bracket for floor stand

Universal bracket when using any floor stand (i.e. tripod), see Fig. 5.

IREL12, extra lamp

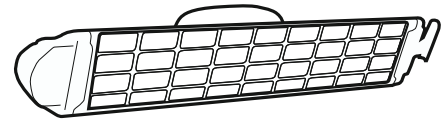
The halogen lamp of 1,2 kW is replaceable. The life of the lamp will depend among other things on surrounding temperature and positioning.

Controls and other accessories

Type	Description	HxWxD [mm]
CBT	Electronic timer	155x87x43
ELIRC	Chain for ceiling mounting	
ELIRS	Floor stand for portable use	
ELIRB	Universal bracket for floor stand	
IREL12	Extra lamp	

Infrared heater ELIR

Wiring diagrams



Control with timer

